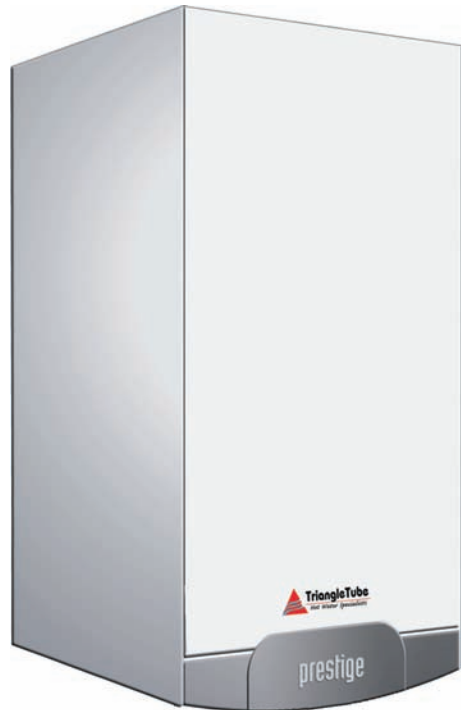


# prestige

## User's Information Manual



Complies with  
ANSI Z21.13b  
CSA4.9b  
Gas Fired  
Low Pressure Boiler

### WARNING

If the information in this manual is not followed exactly, a fire or explosion may result causing property damage, personal injury or loss of life.

### FOR YOUR SAFETY

- Do not store or use gasoline or other flammable vapors and liquids in the vicinity of this or any other appliance.
- **WHAT TO DO IF YOU SMELL GAS**
  - Do not try to light any appliance
  - Do not touch any electrical switch; do not use any phone in your building.
  - Immediately call your gas supplier from a neighbor's phone. Follow the gas supplier's instructions.
  - If you cannot reach your gas supplier, call the fire department.

Installation and service must be performed by a qualified installer, service agency or the gas supplier.

---

<b>PRODUCT &amp; SAFETY INFORMATION</b>	Page 1
<hr/>	
Service and Maintenance PRESTIGE Operation Boiler & System Water	
<b>SECTION I - Combustion Air - Prevention of Contamination</b>	Page 2
<hr/>	
Potential Contaminating Products Areas likely to find these Products	
<b>SECTION II - Maintenance Schedule</b>	Page 3
<hr/>	
Service Technician Owner Maintenance	
<b>SECTION III - Maintenance Procedures</b>	Page 4
<hr/>	
Daily Maintenance Monthly Maintenance 6-Month Maintenance	
<b>SECTION IV - Operations Instructions</b>	Page 7
<hr/>	
<b>SECTION V - Boiler Control Display</b>	Page 8
<hr/>	
<b>Replacement parts</b>	Page 11
<hr/>	

The following terms are used throughout this manual to bring attention to the presence of potential hazards or to important information concerning the product.

**WARNING**

Indicates a potentially hazardous situation, which if ignored, can result in death, serious injury or substantial property damage.

**NOTICE**

Indicates special instructions on installation, operation or maintenance, which are important to equipment but not related to personal injury hazards.

### PRODUCT & SAFETY INFORMATION

#### WARNING

**HOMEOWNER:** The PRESTIGE installation manual is for use only by a qualified heating installer / service technician. Refer to this User's Information Manual for your reference. Failure to comply could result in severe personal injury, death or substantial property damage.

#### NOTICE

**TECHNICIAN:** When calling or writing about the PRESTIGE, please have the boiler model and serial number available.

### STOP! READ BEFORE SERVICING

#### WARNING

**Failure to adhere to the guidelines on this page can result in severe personal injury, death or substantial property damage.**

#### Service and Maintenance

- To avoid electric shock, disconnect electrical supply before performing service or maintenance.
- Allow the unit to cool down prior to servicing to avoid severe burns.
- The PRESTIGE must be maintained as outlined in this manual and have at least annual service performed by a qualified service technician to ensure unit / system reliability.

### PRESTIGE Operation

- Do not block flow of combustion air to the PRESTIGE. If the combustion air blockage is easily accessible and removable, then remove it. If blockage is not obvious or cannot be removed, have the unit and system checked by a qualified service technician.
- Do not allow contaminated air to enter the unit's combustion air inlet. See page 2 for details.
- The PRESTIGE is equipped with a low water cutoff device. The boiler and system piping must be filled and pressurized to 15 psig prior to startup. The unit will shut down if the pressure falls below 10 psig.
- Should overheating occur or the gas supply fail to shut off, DO NOT turn OFF or disconnect the electrical supply to the pump. Instead, shut off the gas supply at a location external to the appliance.
- Do not use this unit if any part has been under water. Immediately call a qualified service technician to inspect the boiler and to replace any part of the control system and any gas control, which has been under water.

### Boiler & System Water

- Have the boiler and system water chemistry checked at least annually by a qualified service technician.
- Do not use petroleum-based cleaning or sealing compounds in the boiler or system. Gaskets and seals in the system may be damaged. This can result in substantial property damage.
- Do not use any product not specifically designed for boiler / hydronic heating systems. Serious damage to the unit, piping system, personnel and / or property may result.
- Continual fresh makeup water will reduce the life of the PRESTIGE. Addition of oxygen can cause internal corrosion in the system components. All leaks in the piping system must be repaired at once to prevent makeup water.
- Do not add cold water to a hot unit. Thermal shock can cause premature failure to the boiler heat exchanger.

## SECTION I - COMBUSTION AIR - PREVENTION OF CONTAMINATION

### WARNING

If the PRESTIGE combustion air inlet is located in any area likely to cause or contain contamination, or if products, which would contaminate the air cannot be removed, the combustion air must be re-piped and terminated to another location. Contaminated combustion air will damage the unit and its burner system, resulting in possible severe personal injury, death or substantial property damage.

### WARNING

Do not operate a PRESTIGE unit if its combustion air inlet or the unit is located in or near a laundry room or pool facility. These areas will always contain hazardous contaminants.

Pool and laundry products and common household and hobby products often contain fluorine or chlorine compounds. When these chemicals pass through the burner and vent system, they can form strong acids. These acids can create corrosion of the heat exchanger, burner components and vent system, causing serious damage and presenting a possible threat of flue gas spillage or water leakage into the surrounding area.

Please read the following information. If contaminating chemicals will be present near the location of the combustion air inlet, the installer should pipe the combustion air inlet to another location per the PRESTIGE installation manual.

## Potential Contaminating Products

- Spray cans containing chloro/fluorocarbons
- Permanent Wave Solutions
- Chlorinated wax
- Chlorine - based swimming pool chemicals and spa cleaners
- Calcium Chloride used for thawing ice
- Sodium Chloride used for water softening
- Refrigerant leaks
- Paint or varnish removers
- Hydrochloric acid / muriatic acid
- Cements and glues
- Antistatic fabric softeners used in clothes dryers
- Chlorine-type bleaches, detergents, and cleaning solvents found in household laundry rooms
- Adhesives used to fasten building products and other similar products

## Areas likely to find these products

- Dry cleaning / laundry areas and establishments
- Beauty salons
- Metal fabrication shops
- Swimming pools and health spas
- Refrigeration Repair shops
- Photo processing plants
- Auto body shops
- Plastic manufacturing plants
- Furniture refinishing areas and establishments
- New building construction
- Remodeling areas
- Garages with workshops

## SECTION II - Maintenance Schedule

### Service Technician

At least on an annual basis the following maintenance should be performed by a qualified service technician:

#### General

- Attend to any reported problems.
- Inspect the interior of the boiler jacket area; clean and vacuum if necessary.
- Clean the condensate trap and fill with fresh water.
- Check for leaks: water, gas, flue and condensate.
- Verify flue vent piping and air inlet piping are in good condition and sealed tight.
- Check boiler water pressure, piping and expansion tank.
- Check control settings.
- Check ignition electrode (sand off any white oxide; clean and reposition).
- Check ignition wiring and ground wiring.
- Check all control wiring and connections.
- Check burner flame pattern (stable and uniform) and flame.

#### Additional items if combustion or performance is poor:

- Clean heat exchanger and flue ways.
- Remove burner assembly and clean burner head using compressed air only.

Once the maintenance items are completed, review the service with the owner.

### Owner Maintenance

Periodically:

- Check the area around the unit.
- Check and remove any blockage from the combustion air inlet and ventilation openings.
- Check the temperature/pressure gauge.

Monthly:

- Check vent piping.
- Check combustion air inlet piping.
- Check the pressure relief valve.
- Check the condensate drain system.

Every 6 months:

- Check boiler piping and gas supply piping for corrosion or potential signs of leakage.
- Operate the pressure relief valve.

### **WARNING**

**Follow the maintenance procedures given throughout this manual. Failure to perform the service and maintenance or follow the directions in this manual could result in damage to the PRESTIGE or in system components, resulting in severe personal injury, death or substantial property damage.**

## SECTION III - MAINTENANCE PROCEDURES

### WARNING

The PRESTIGE must be inspected and serviced annually, preferably at the start of the heating season, by a qualified service technician. In addition, the maintenance and care of the boiler as outlined on page 3 and further explained on pages 4 through 6 must be performed to assure maximum efficiency and reliability of the unit. Failure to service and maintain the PRESTIGE and the system components could result in equipment failure, causing possible severe personal injury, death or substantial property damage.

### NOTICE

The following information provides detailed instruction for completing the maintenance items outlined in the maintenance schedule on page 3. In addition to this maintenance, the PRESTIGE should be serviced at the beginning of the heating season by a qualified service technician.

### Daily Maintenance

Check the surrounding area

### WARNING

To prevent potential of severe personal injury, death or substantial property damage, eliminate all the materials listed on page 2 from the area surrounding the unit and from the vicinity of the combustion air inlet. If contaminants are found:

Remove products immediately from the area. If they have been there for an extended period, call a qualified service technician to inspect the unit for possible damage from acid corrosion.

If products cannot be removed, immediately call a qualified service technician to re-pipe the combustion air inlet piping and locate the combustion air intake away from the contaminated areas.

1. Combustible / flammable materials - Do not store combustible materials, gasoline or other flammable vapors or liquids near the unit. Remove immediately if found.
2. Air contaminants - Products containing chlorine or fluorine, if allowed to contaminate the combustion air, will cause acidic condensate within the unit. This will cause significant damage to the unit. Read the list of potential materials listed on page 2 of this manual. If any of these products are in the room from which the unit takes its combustion air, they must be removed immediately or the combustion air intake must be relocated to another area.

### Check Combustion Air Inlets

1. Verify that ventilation air openings to the mechanical room are open and unobstructed.
2. Verify that the unit's vent termination and combustion air intake are clean and free of obstructions. Remove any debris on the air intake or flue exhaust openings. If removing the debris does not allow the unit to operate correctly, contact your qualified service technician to inspect the unit and the vent / combustion air system.

### Check Temperature Display and Pressure Gauge

1. Ensure the pressure reading on the pressure gauge does not exceed 25 psig. Higher pressure readings may indicate a problem with the expansion tank.
2. Ensure the temperature on the display panel does not exceed 194°F. Higher temperature readings may indicate a problem with the operating thermostat controls.
3. Contact a qualified service technician if problem persists.

## Monthly Maintenance

### Check Vent Piping

1. Visually inspect the flue gas vent piping for any signs of blockage, leakage or deterioration of the piping. Notify a qualified service technician immediately if any problems are found.

#### WARNING

**Failure to inspect the venting system as noted and have it repaired by a qualified service technician can result in the vent system failure, causing severe personal injury or death.**

### Check Combustion Air Inlet Piping

1. Visually inspect the combustion air inlet piping for any signs of blockage. Inspect the entire length of the combustion air inlet piping to ensure piping is intact and all joints are properly sealed.
2. Notify a qualified service technician if any problems are found.

### Check Pressure Relief Valve

1. Visually inspect the primary pressure relief valve and the relief valve discharge pipe for signs of weeping or leakage.
2. If the pressure relief valve often weeps, the expansion tank may not be operating properly. Immediately contact a qualified service technician to inspect the unit and system.

### Check Vent Condensate Drain System

1. While the unit is running, check the discharge end of the condensate drain tubing. Ensure no flue gas is leaking from the condensate drain tubing or tee connection by holding your fingers near the opening.
2. If you notice flue gas leaking from the opening, this indicates a dry condensate drain trap. Fill the condensate trap assembly. Contact a qualified service technician to inspect the unit and condensate line and refill the condensate trap if problem persists regularly.

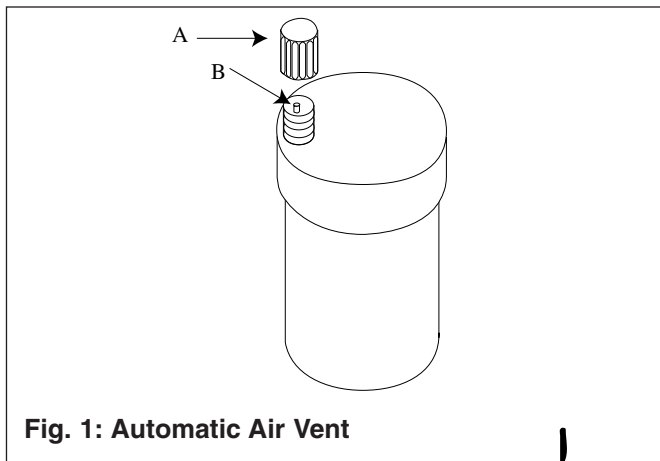
#### WARNING

**Under some circumstances the PRESTIGE may not produce enough condensate to keep the condensate trap full of liquid. If the trap is not full, small amounts of flue gases can be emitted into the surrounding area through the condensate drain line or tee.**

3. Ensure the condensate drain line is not blocked by pouring water through the plug port on the condensate drain assembly. The water should flow out of the end of the drain line. If water does not appear at the end of the drain line, contact a qualified service technician to inspect and clean the condensate line.
4. To fill the condensate drain assembly, if necessary, remove the plug from the condensate assembly. Slowly pour water into the trap assembly until water appears at the end of the drain line. Stop filling and replace plug.

### Check Automatic Air Vents (If Used)

1. Remove the cap "A" from any automatic air vent in the system and check operation by depressing valve "B" slightly with the tip of a screwdriver. See Fig. 1.
2. If the air vent valve appears to be working freely and not leaking, replace cap "A", screwing it on fully.
3. Loosen cap "A" one full turn to allow vent to operate properly.
4. Have the air vent replaced by a qualified service technician if it does not operate correctly.



**Fig. 1: Automatic Air Vent**

### 6-Month Maintenance

#### Check Water and Gas Piping

1. Remove the boiler front jacket panel and perform a gas leak inspection per steps 1 through 6 of the Operating Instructions on page 7. If gas odor or leak is detected, immediately shut down the unit following procedures on page 7. Call a qualified service technician.
2. Visually inspect for leaks around the internal boiler water connections and around the heat exchanger. Visually inspect the external system piping, circulators, and system components and fittings. Immediately call a qualified service technician to repair any leaks.

#### **WARNING**

**Have leaks fixed at once by a qualified service technician. Failure to comply could result in severe personal injury, death or substantial property damage.**

#### Operate Pressure Relief Valve

1. Before proceeding, verify that the relief valve outlet has been piped to a safe place of discharge, avoiding any possibility of scalding from hot water.

#### **WARNING**

**To avoid water damage or scalding due to valve operation, a discharge line must be connected to the relief valve outlet and directed to a safe place of disposal. This discharge line must be installed by a qualified service technician or heating / plumbing installer in accordance with the PRESTIGE installation manual. The discharge line must be terminated so as to eliminate possibility of severe burns or property damage should the valve discharge.**

2. Read the temperature display and pressure gauge to ensure the system is pressurized. Lift the relief valve top lever slightly, allowing water to relieve through the valve and discharge piping.
3. If water flows freely, release the lever and allow the valve to seat. Watch the end of the relief valve discharge pipe to ensure that the valve does not weep after the line has had time to drain. If the valve weeps, lift the lever again to attempt to clean the valve seat. If the valve does not properly seat and continues to weep afterwards, contact a qualified service technician to inspect the valve and system.
4. If the water does not flow from the valve when you lift the lever completely, the valve or discharge line may be blocked. Immediately shut the unit down per the instructions on page 7. Call a qualified service technician to inspect the valve and system.



SECTION IV - OPERATING INSTRUCTIONS



**FOR YOUR SAFETY READ BEFORE LIGHTING**

**WARNING**


**If you do not follow these instructions exactly, a fire or explosion may result causing property damage, personal injury or loss of life.**

- A. This appliance does not have a pilot. It is equipped with an ignition device which automatically lights the burner. **DO NOT** try to light the burner by hand.
  - B. BEFORE OPERATING, smell all around the appliance area for gas. Be sure to smell next to the floor because some gas is heavier than air and will settle on the floor.
- WHAT TO DO IF YOU SMELL GAS**
- Do not try to light any appliance.
  - Do not touch any electric switch; do not use any phone in your building
  - Immediately call your gas supplier from a neighbor’s phone. Follow the gas supplier’s instructions.
- If you cannot reach your gas supplier, call the fire department.
  - C. Use only your hand to turn the external manual gas valve. Never use tools. If the valve will not turn by hand, don’t try to repair it; call a qualified service technician. Force or attempted repair may result in a fire or explosion.
  - D. Do not use this appliance if any part has been under water. Immediately call a qualified service technician to inspect the appliance and to replace any part of the control system and any gas control which has been under water.

**OPERATING INSTRUCTIONS**

1. **STOP!** Read the safety information above on this label. This appliance is equipped with an ignition device which automatically lights the burner. **DO NOT** try to light the burner by hand,
2. Set room thermostat(s) to lowest setting. Turn the external manual gas valve handle clockwise  “CLOSE” (valve handle shall be perpendicular to gas piping)
3. Turn the service switch on the PRESTIGE control panel OFF.
4. Remove the front jacket panel on the unit.
5. Turn the external manual gas valve handle counter clockwise  to “OPEN” gas supply (valve handle shall be parallel to gas piping).
6. Wait five (5) minutes to clear out any gas. If you then smell gas in the jacket enclosure or around the unit, **STOP!** Follow “B” in the safety information above. If you don’t smell gas, go to the next step.
7. Turn the service switch on the PRESTIGE control panel “ON”.
8. Set room thermostat(s) to desired setting(s).
9. The PRESTIGE control panel display will show a sequence of numbers (0,1,2,3,4,etc.) as the left digit. Sequence digit 3 or 4 indicates the boiler is firing. Sequence digit 0 means there is no call for heat (all external thermostats are satisfied)
10. If the unit will not operate with a call for heat and the system piping is not hot, follow the instructions “To Turn Off Gas to Appliance”, below and call your service technician or gas supplier.
11. Replace the front jacket panel. Make sure the panel is seated firmly in place and all mounting screws are tighten.

**TO TURN OFF GAS TO APPLIANCE**

1. Set the room thermostat to lowest setting.
2. Turn the service switch on the PRESTIGE control panel to “OFF”
3. Turn the external manual gas valve handle clockwise  to “CLOSE”.

## BOILER CONTROL DISPLAY

### Standby Mode **5t64**

After the boiler is turned on, the control panel will display STANDBY mode as shown in the figure above.

This is the standard mode for the PRESTIGE. The control automatically returns to this mode after 20 minutes if no keys have been pressed on the display.

The first character shows (on left side of display) the current status of the boiler depending on the condition of both the boiler and the burner. The last 3 characters indicate the current boiler supply temperature.

If the burner is blocked due to a “soft” lockout, the display alternates between a 9 followed by the boiler outlet temperature and a “b” with a two digit error code.

Display	Boiler function
<b>0180</b>	STANDBY, no demand for heat
<b>1180</b>	Fan prepurge (10 seconds) or post purge cycle
<b>2180</b>	Ignition sequence
<b>3180</b>	Burner ON for space heating (CH)
<b>4180</b>	Burner ON for domestic water heating (DHW)
<b>5180</b>	Pre-check for air flow prior to prepurge cycle
<b>6180</b>	Burner OFF due to reaching supply temperature set point
<b>7180</b>	Post pump cycle for primary space heating (1 minute)
<b>8180</b>	Post pump cycle for domestic hot water (30 seconds)
<b>9180</b>	Burner blocked:
<b>b 18</b>	Supply temperature too high (203°F). Burner will remain OFF until outlet temperature drops below 200°F
<b>b 19</b>	Return temperature too high (203°F). Burner will remain OFF until temperature drops below 200°F
<b>b 24</b>	Return temperature is measured higher than supply temperature. Burner will remain OFF until corrected.
<b>b 25</b>	Supply temperature increased too quickly. Burner will remain OFF for a 10 minute period. Burner will recycle, increasing waiting period 1 minute for a max. 15 minutes
<b>b 26</b>	Factory supplied LWCO pressure device or external limit (terminals 15 & 16) is OPEN. Burner off for 150 seconds, auto reset.
<b>b 28</b>	No blower signal
<b>b 29</b>	Blower signal present, Burner will remain OFF until condition terminates
<b>b 30</b>	Temperature rise between the supply and return is more than 72°F. Burner will remain OFF for 150 seconds. Burner will recycle increasing waiting period 1 minute each cycle for a max. 20 cycles.
<b>b 35</b>	Short circuit measured across flue temperature sensor terminals. Burner OFF until corrected.
<b>b 40</b>	Open circuit measured across the flue temperature sensor.
<b>b 52</b>	Flue temperature greater than 241°F less than 250°F. Burner off for 150 seconds
<b>b 65</b>	Wait for the blower to start

## SETTING THE BOILER PARAMETERS

### Parameter Mode **P P P P**

To access PARAMETER mode when the system is in STANDBY mode, press the MODE button once.





To scroll through the list of parameters, simply press the “STEP” button. To modify a parameter value, use the + or - keys. Then press “STORE” to save the value you just changed. The display flashes once to confirm the data has been saved.

To activate the parameters you changed, press MODE once more (which brings you into INFORMATION mode). However, if you do not press a key, the system returns to STANDBY mode after 20 minutes and automatically enables the changes.

Key: Display



Key: Display

Key: Display	Description of parameters
 <b>1 1 4 0</b>	Domestic Hot Water Setting ( <b>See Note 1</b> )
 <b>2 8 0 1</b>	Domestic Hot Water Setup ( <b>See Note 2</b> )
 <b>3 8 0 1</b>	Space Heating Mode ( <b>See Note 3</b> )
 <b>4 1 8 0</b>	Maximum temperature in space heating (CH) mode. In applications using an outdoor sensor, this is the boiler outlet target temperature at an outdoor temperature of 0°F

**Note 1:** This parameter is factory set to 140°F. It is important to note the control adds 46°F to this setting, therefore the actual domestic hot water setting is 140°F + 46°F = 186°F.

**Note 2:** This parameter should not be changed from the factory setting. The performance of the DHW will be affected and can become unreliable.

**Note 3:** This parameter should not be changed from the factory setting. The performance of the CH (Central/Space Heating) will be affected and can become unreliable.

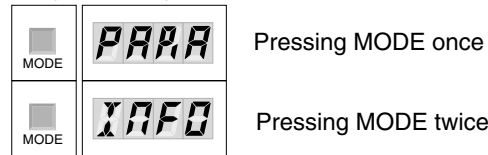
## ACCESSING BOILER INFORMATION

### Information Mode **I N F O**










To switch from STANDBY mode to Information mode, press MODE twice.

Press STEP until the system displays the information you need. The decimal point located behind the first position flashes to indicate that the boiler is in INFO mode.

Key: Display



Key: Display

Key: Display	Description of parameters
 <b>1 1 8 0</b>	Measured outlet (supply) water temperature
 <b>2 1 6 0</b>	Measured inlet (return) water temperature
 <b>3 . 1 8</b>	This parameter is not used
 <b>4 . 5 5</b>	Measured outdoor temperature (Optional outdoor sensor required)
 <b>5 1 5 0</b>	Measured flue temperature
 <b>6 1 8 0</b>	Calculated (target) outlet water temperature
 <b>7 . 8 1</b>	Rate of increase in the outlet water temperature °F/sec
 <b>8 . 8 1</b>	Rate of increase in the return water temperature °F/sec
 <b>9 . 3 2</b>	This parameter is not used

If STEP is pressed after parameter 9, the display will show **A-32**.

## Error (Hard Lockout) Mode

If a system fault occurs while the boiler is running, the system goes into lockout and the display starts to flash with the first digit as an E and the next two digits represent the fault code.

For a detailed description of the error codes, reference the PRESTIGE Trouble Shooting Guide.

### WARNING

**During a hard lockout or low water condition the boiler will not re-start without service. If the heating system is left unattended in cold weather appropriate safeguards or alarms should be installed to prevent property damage.**

## Boiler Freeze Protection Feature

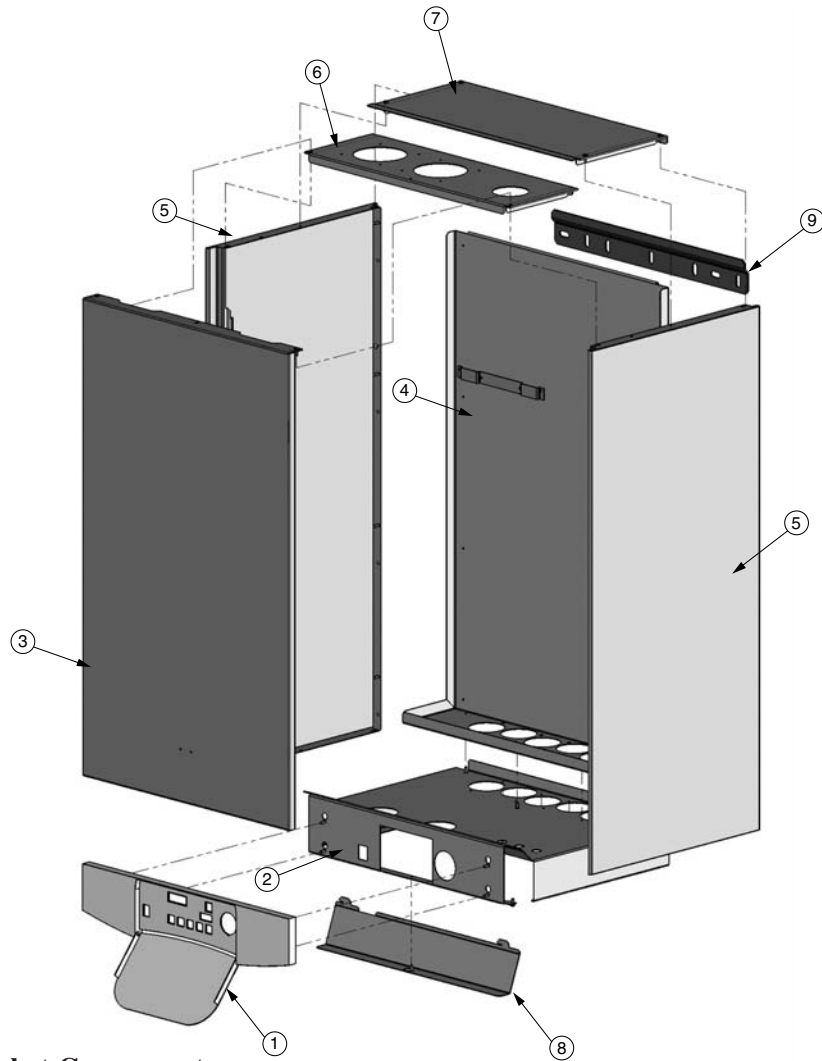
The boiler control has a freeze protection feature built in. This feature monitors the boiler temperature and responds as follows when no call for heat is present.

- 45°F Boiler circulator is ON
- 37°F Boiler circulator is ON and burner operates at low fire.
- 50°F Burner OFF and boiler circulator operates for approximately 10 minutes.

### CAUTION

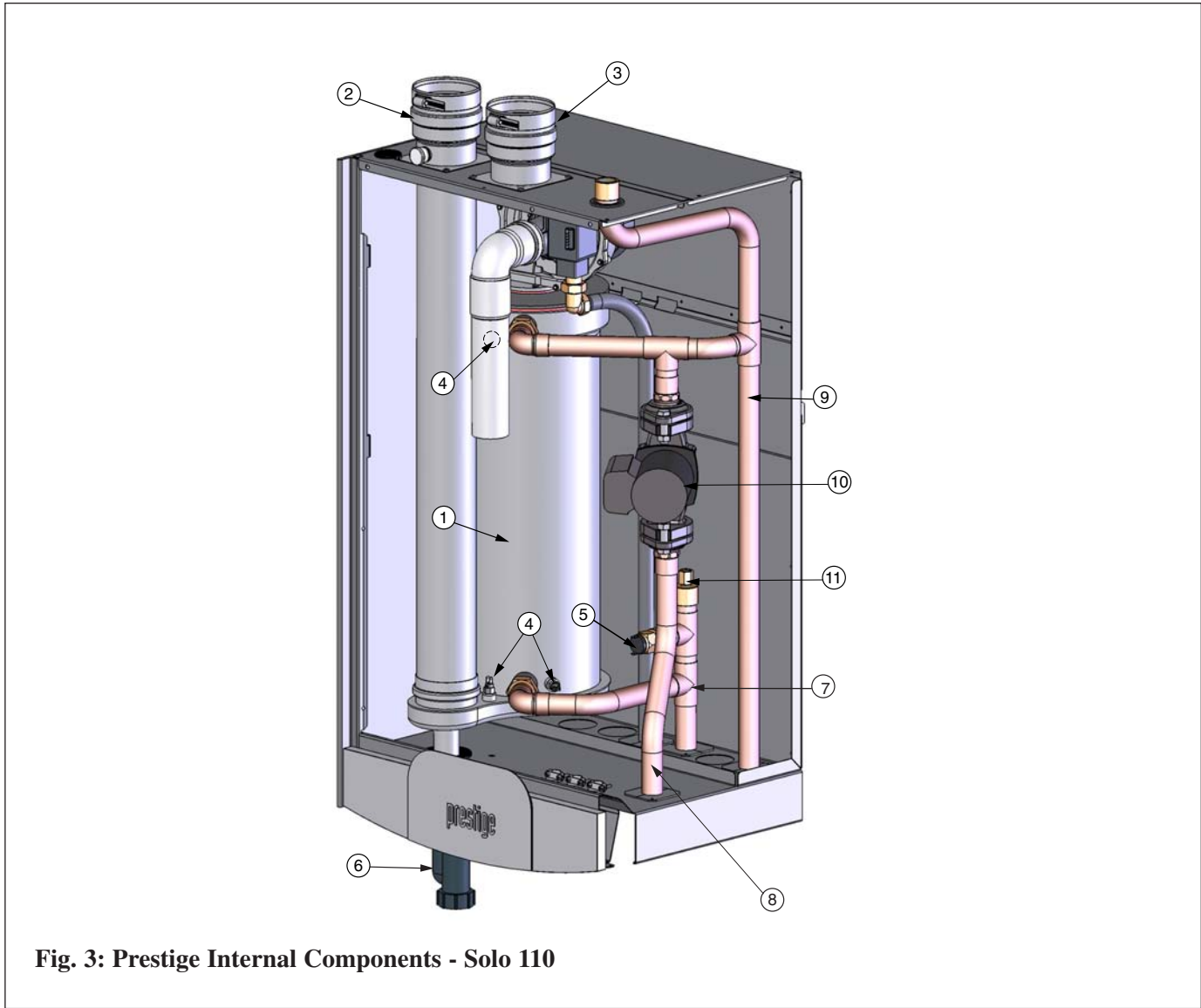
**The boiler freeze protection feature is disabled during a Hard Lockout.**

Display	Hard Lockout
E 00	Flame detected prior to burner startup
E 02	Failed ignition after 5 attempts
E 03	Gas valve harness not properly connected
E 04	Power supply lost after lockout occurred
E 05	Internal control failure
E 06	Internal control failure
E 07	Internal control failure
E 08	Internal control failure
E 09	Internal control failure
E 11	Internal control failure
E 12	External limit (terminals 13 & 14) control is OPEN
E 13	Internal control failure
E 14	Internal control failure
E 15	Internal control failure
E 16	Internal control failure
E 17	Internal control failure
E 18	Supply Temperature exceeds 212°F
E 19	Return temperature exceeds 212°F
E 25	Supply temperature increased too rapidly
E 28	No blower signal present
E 29	Blower signal does not reset to zero
E 31	Supply temperature sensor is short circuited
E 32	Return temperature is short circuited
E 36	Supply temperature sensor is OPEN
E 37	Return temperature sensor is OPEN
E 44	Internal control failure
E 52	Flue temperature exceeds 250°F
E 60	Internal control error - failure to read parameters
E 61	Internal control failure
E 65	Inadequate power supply to the fan



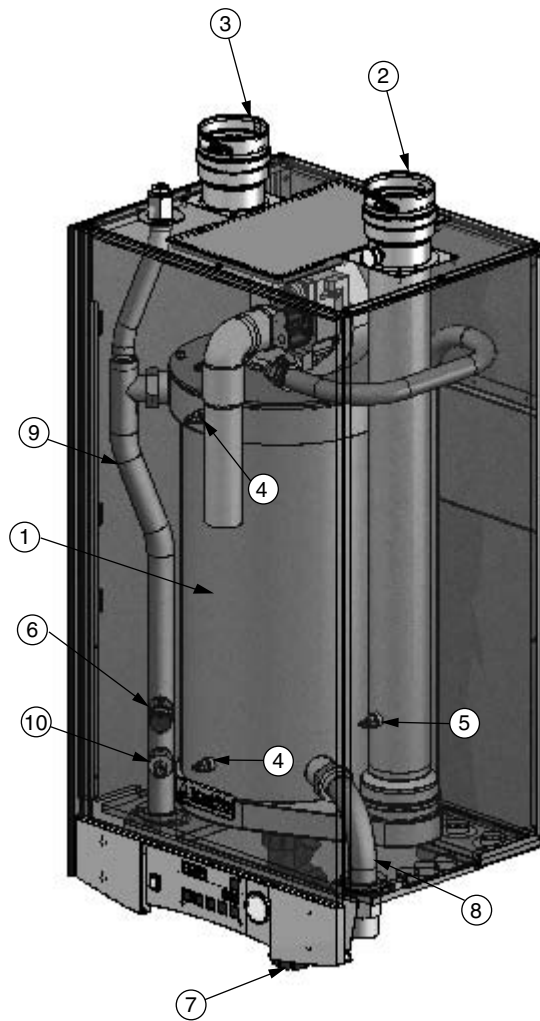
**Fig. 2: Prestige Jacket Components**

Item	Part No.	Description
1	PSCS01	Display/Control Panel
2	PSJKT01B	Base Panel - Solo 110
	PSJKT02B	Base Panel - Solo 175/250
3	PSJKT01F	Front Jacket Panel
4	PSJKT01R	Rear Jacket Panel - Solo 110
	PSJKT02R	Rear Jacket Panel - Solo 175/250
5	PSJKT01S	Side Jacket Panel (Left and Right)
6	PSJKT01T	Top Jacket Panel - Solo 110
	PSJKT03T	Top Jacket Panel - Solo 175/250
7	PSJKT02T	Top Jacket Panel - Access - Solo 110
	PSJKT04T	Top Jacket Panel - Access - Solo 175/250
8	PSJKT03	Control Cover Panel
9	PSRKT21	Wall Mounting Bracket with Hardware



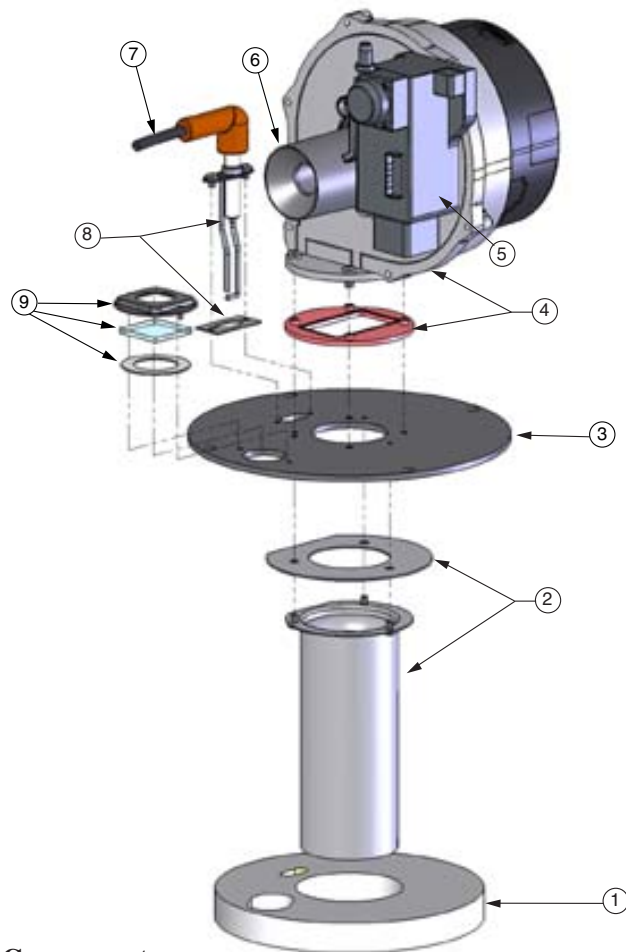
**Fig. 3: Prestige Internal Components - Solo 110**

Item	Part No.	Description
1	PSRKIT01	Heat Exchanger Body
2	PSRKIT02	Vent Outlet Adapter
3	PSRKIT03	Combustion Air Inlet Adapter
4	PSRKIT04	NTC Sensor (NTC1, NTC2 and NTC5)
5	PGRKIT20	LWCO Pressure Device
6	PSRKIT05	Condensate Drain Assembly
7	PSRKIT06	Boiler Piping - Return Assembly
8	PSRKIT07	Boiler Piping - Supply Short Assembly
9	PSRKIT08	Boiler Piping - Supply Long Assembly
10	HMVCIR02	Circulator
11	--	Pressure Gauge Fitting



**Fig. 4: Prestige Internal Components - Solo 175/250**

Item	Part No.	Description
1	PSRKIT25	Heat Exchanger Body SOLO 175
	PSRKIT26	Heat Exchanger Body SOLO 250
2	PSRKIT27	Vent Outlet Adapter
3	PSRKIT03	Combustion Air Inlet Adapter
4	PSRKIT04	NTC Sensor (NTC1, NTC2 and NTC5)
5	PGRKIT20	LWCO Pressure Device
6	PSRKIT05	Condensate Drain Assembly
7	PSRKIT28	Boiler Piping - Return Assembly
8	PSRKIT29	Boiler Piping - Supply
9	--	Pressure Gauge Fitting



**Fig. 5: Prestige Burner Components**

Item	Part No.	Description
1	PSRKIT09	Combustion Chamber Insulation - Solo 110
	PSRKIT30	Combustion Chamber Insulation - Solo 175/250
2	PSRKIT10	Burner Head with Gasket - Natural - Solo 110
	PSRKIT11	Burner Head with Gasket - Propane - Solo 110
	PSRKIT31	Burner Head with Gasket - Propane - Solo 175/250
3	PSRKIT12	Burner Plate - Solo 110
	PSRKIT32	Burner Plate - Solo 175/250
4	PSRKIT13	Blower with Gasket
5	PGRKIT01	Gas Valve
6	--	Venturi -001
7	PSRKIT14	Ignition Cable
8	PSRKIT15	Igniter with Gasket
9	PSRKIT16	Sight Glass Assembly (Glass, Gasket and Bracket)
10	--	Propane Orifice 0.204" (#52) - Not Shown
11	--	Burner Plate Gasket - Not Shown
12	PGRKIT15	Gas Valve Rectifier Plug - Not Shown



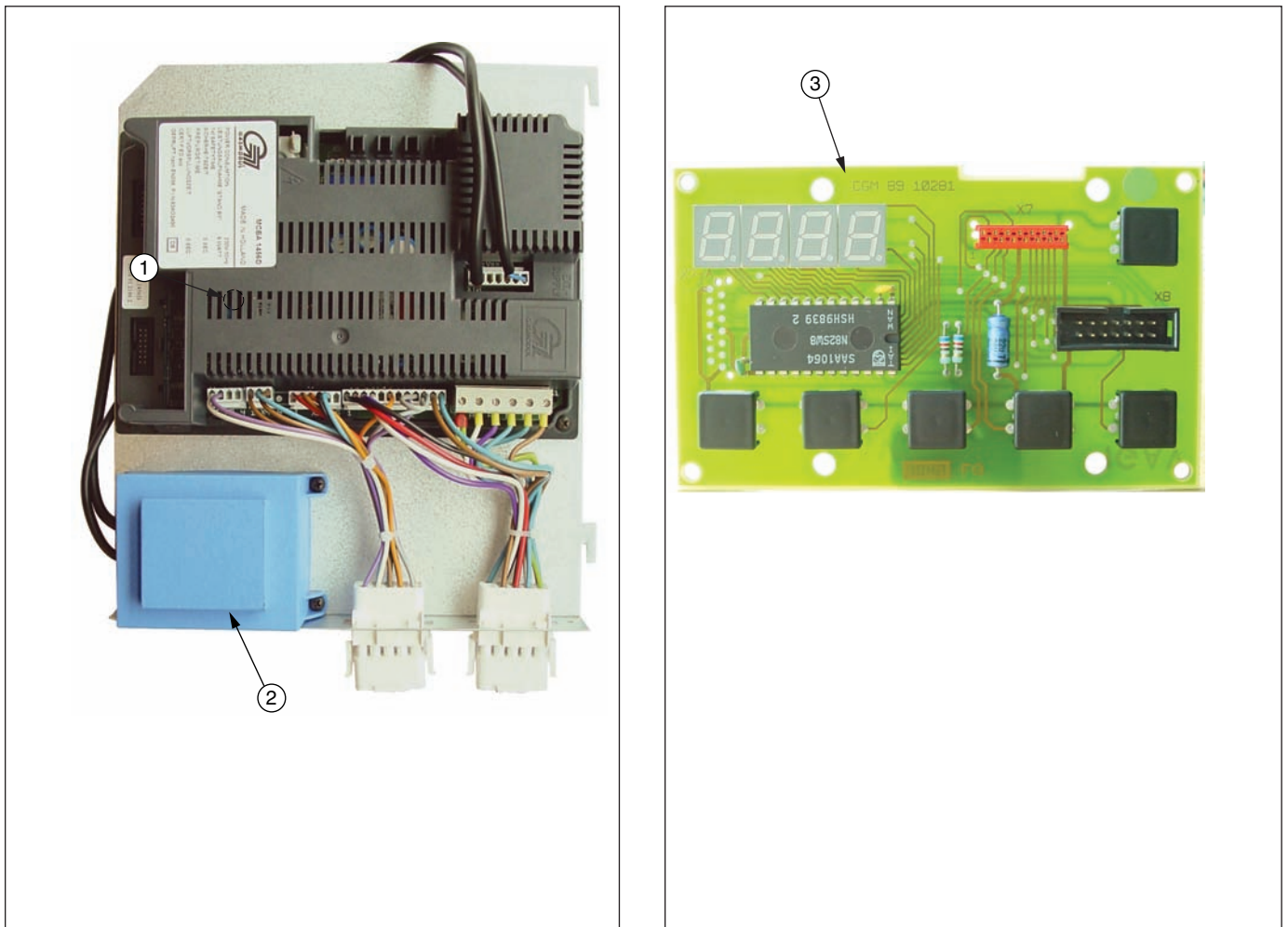


Fig. 6: Prestige Electronic Components

Item	Part No.	Description
1	PSRKIT18	Prestige Control Module
2	PSRKIT19	Transformer with Surge Protection
3	PSRKIT20	Prestige Control Module Display
4	PSRKIT17	Pressure Gauge - Not shown

## Additional quality water heating equipment available from Triangle Tube/Phase III

### Heat Master Commercial Water Heaters



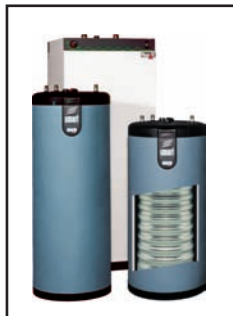
- Stainless steel construction
- Oil and Gas fired
- A unique design that eliminates the problem of associated with traditional water heaters
- Inputs ranging from 165,000 BTU/hr to 390,000 BTU/hr
- 5 year non-prorated warranty
- ASME version available

### Delta ELITE & PERFORMANCE Combination Heaters



- Heat and hot water in one footprint
- Up to 292 gph domestic hot water
- Completely piped and wired from the factory
- Zero clearance to combustibles
- Available in direct vent
- Limited LIFETIME warranty
- Exclusive "tank-in-tank" design

### Phase III Indirect Fired Water Heaters



- Exclusive "tank-in-tank" design
- Stainless steel construction
- Available in 8 sizes and 2 models
- Limited LIFETIME residential warranty
- 15 year limited commercial warranty
- Self cleaning/self descaling design

### Maxi-flo Pool and Spa Heat Exchangers



- Constructed of high quality corrosion resistant stainless steel (AISI 316)
- Specially designed built-in flow restrictor to assure maximum heat exchange
- Compact and light weight
- Available in 5 sizes that can accommodate any size pool or spa



Freeway Center - 1 Triangle Lane  
Blackwood, NJ 08012  
Tel: (856) 228 8881 - Fax: (856) 228 3584  
E-mail: Sales@triangletube.com

